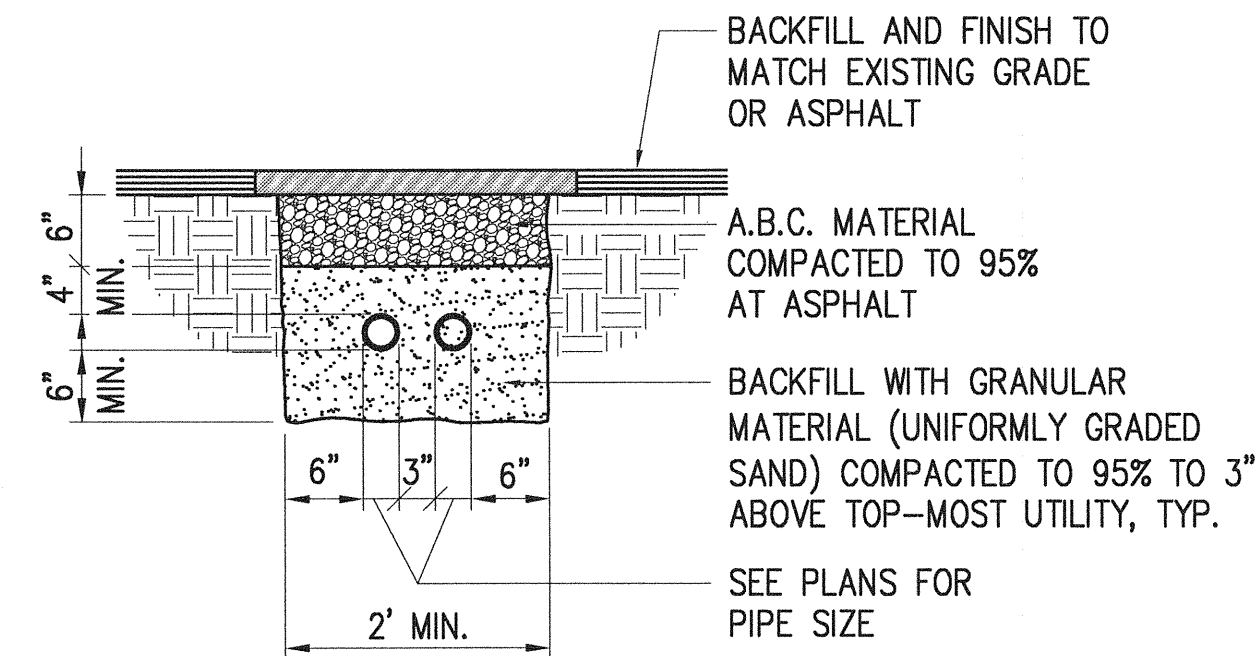


SLAB ON GRADE

SCALE: 3/4"=1'-0"

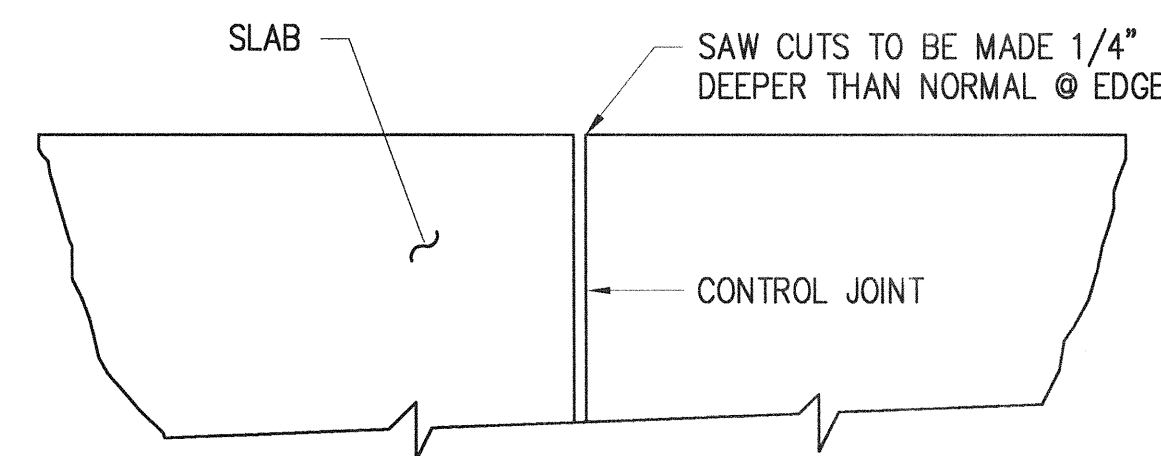
1
CI101



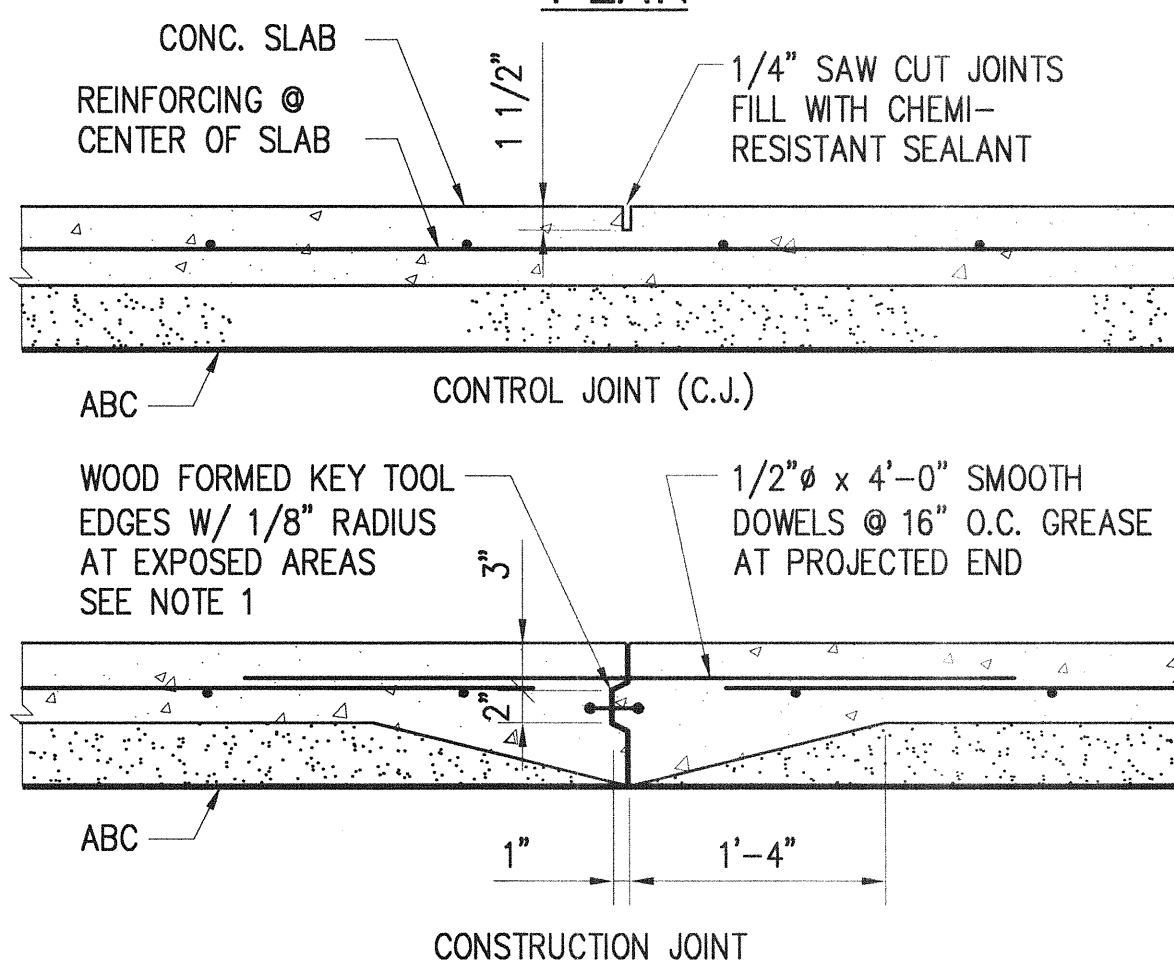
UTILITY TRENCH

SCALE: 3/4"=1'-0"

2
CI101



PLAN

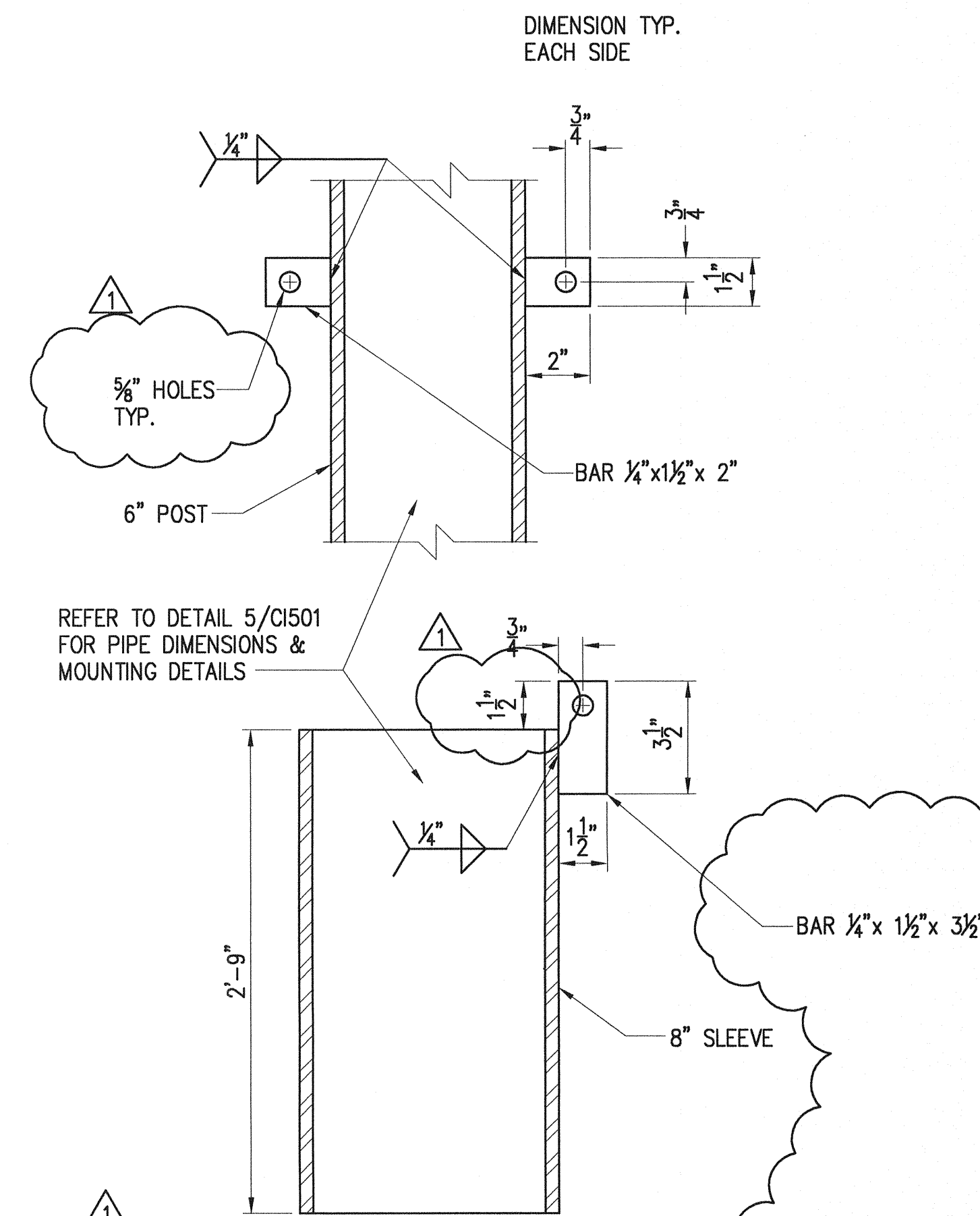


NOTE:
1. IF CONSTRUCTION JOINT IS REQUIRED, CONTRACTOR TO PROVIDE CHEMICAL WATERSTOP BOMETALS MODEL NO. TDB-4316 OR EQUIVALENT.

**CONSTRUCTION/
CONTROL SLAB JOINT**

SCALE: 1"=1'-0"

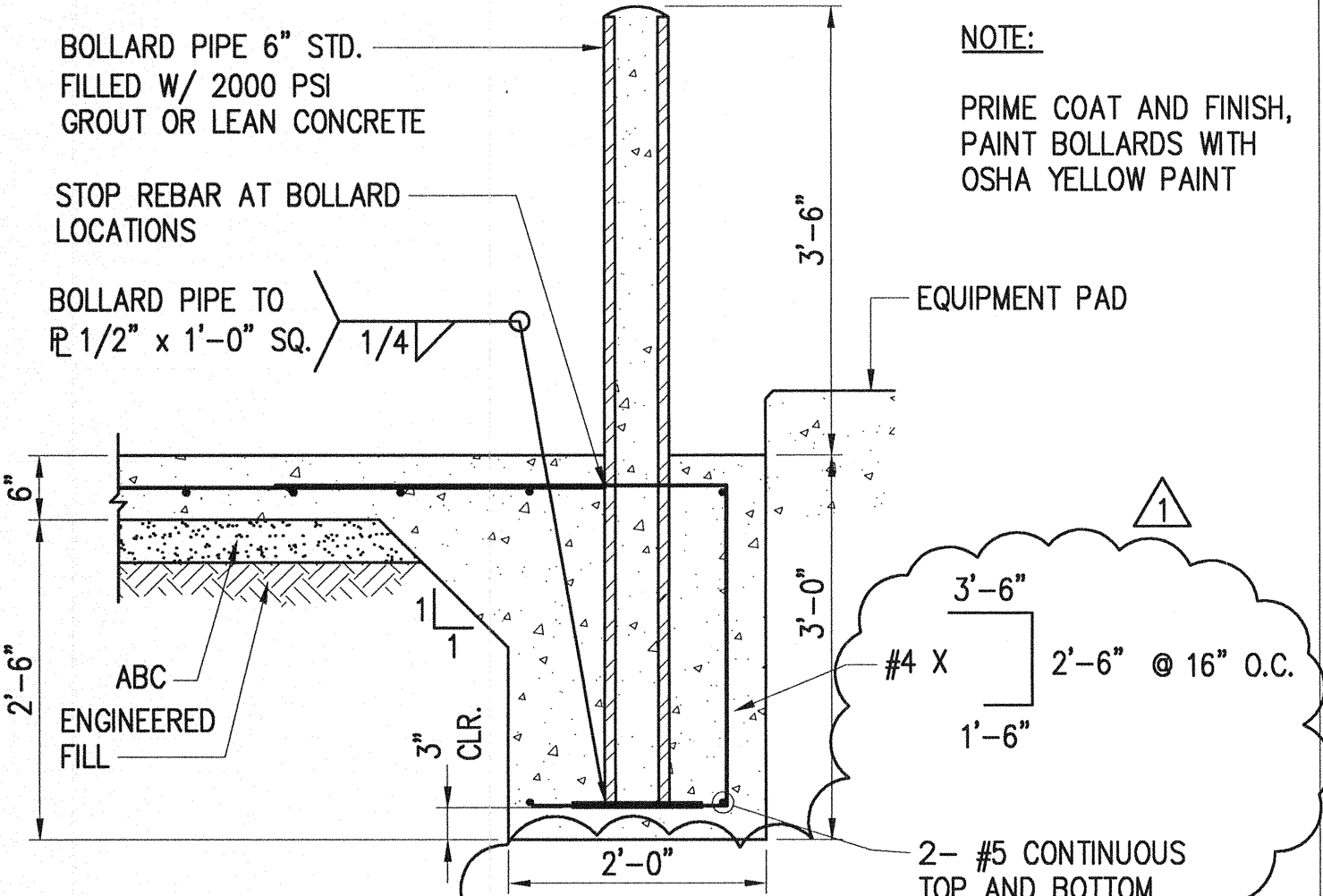
3
CI101



**BOLLARD BARRICADE REMOVABLE-
DETAIL 2**

SCALE: 3"=1'-0"

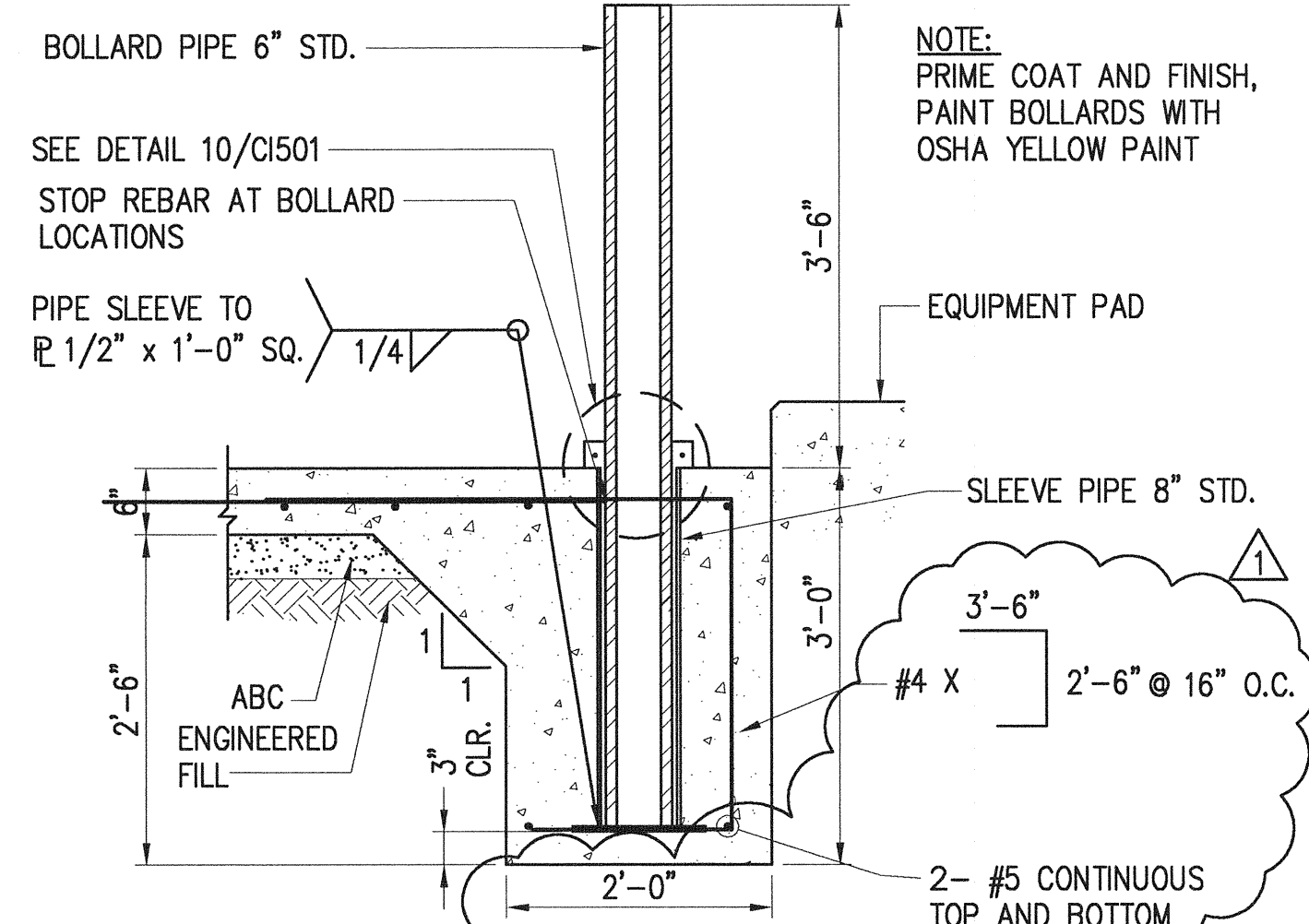
10
CI101



BOLLARD BARRICADE

SCALE: 3/4"=1'-0"

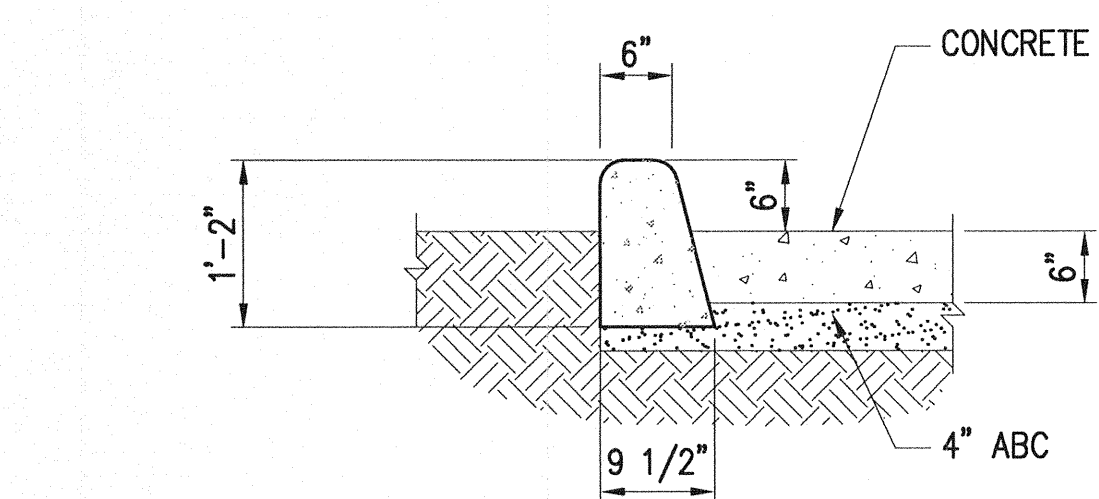
4
CI101



**BOLLARD BARRICADE REMOVABLE-
DETAIL 1**

SCALE: 3/4"=1'-0"

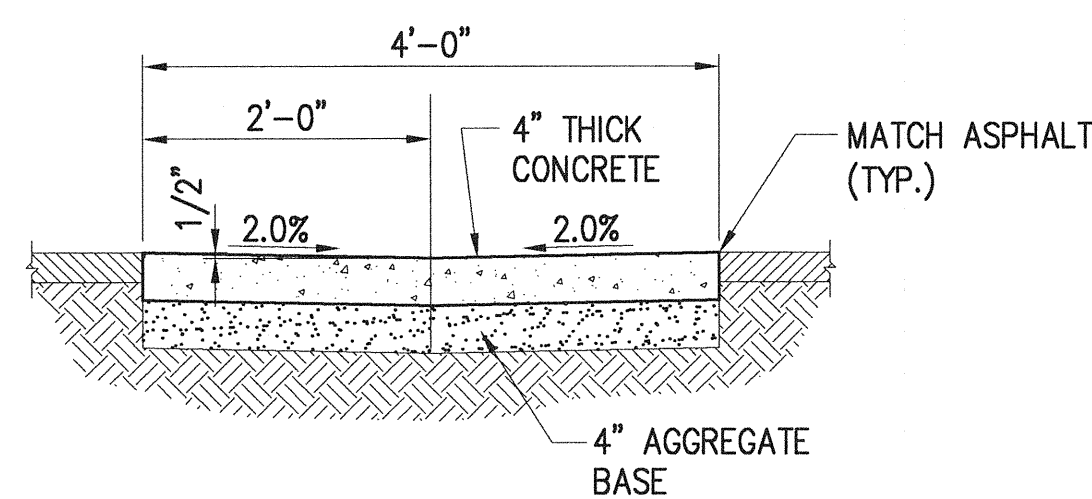
5
CI101



CONCRETE CURB

SCALE: 3/4"=1'-0"

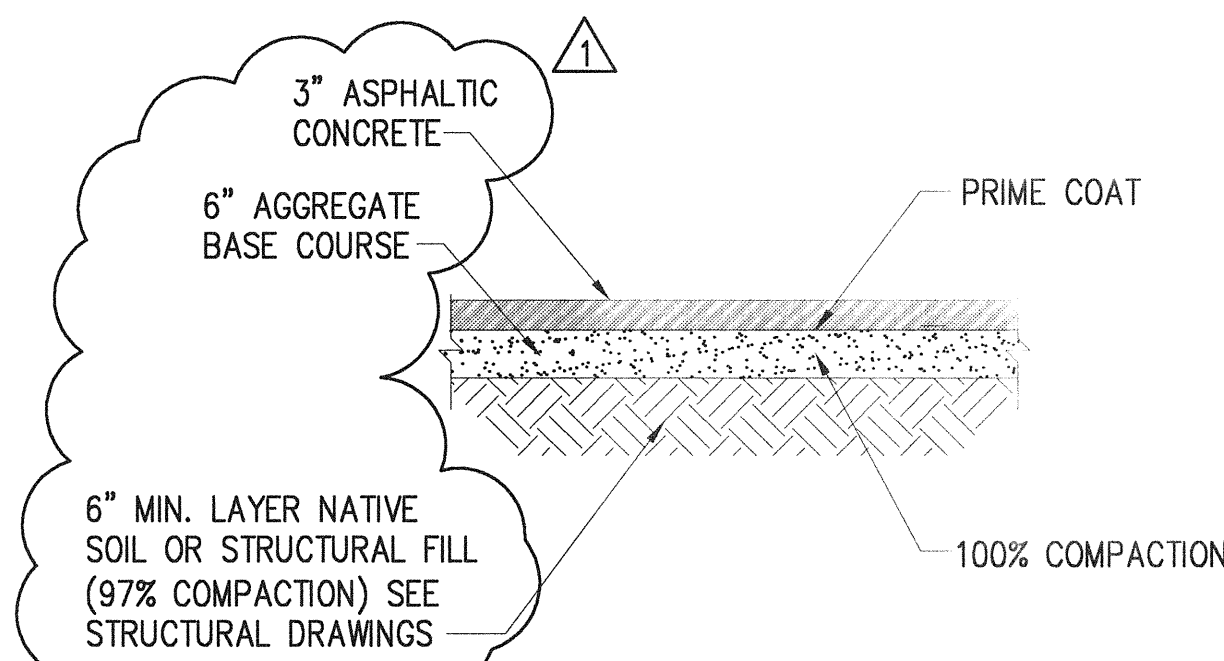
7
CI101



CONCRETE SWALE

SCALE: 3/4"=1'-0"

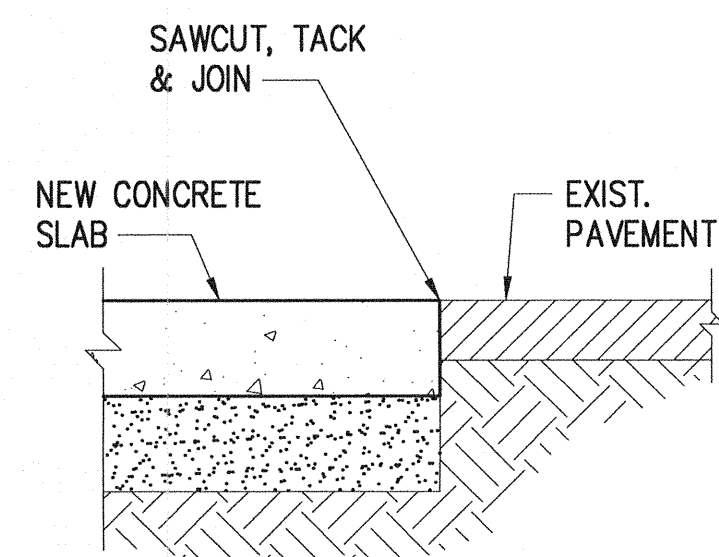
8
CI101



ASPHALT SECTION

SCALE: 3/4"=1'-0"

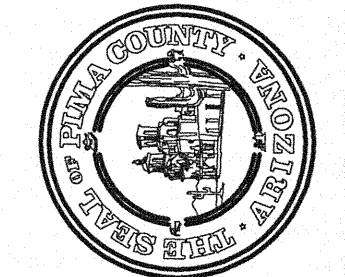
6
CI101



CONCRETE TO EXISTING

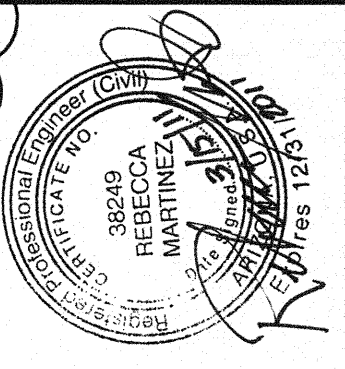
SCALE: 1 1/2"=1'-0"

9
CI101



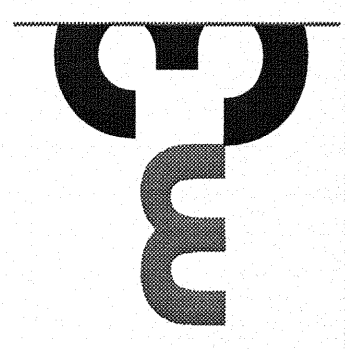
**RICHEY BLVD. FUEL TANK
REPLACEMENT**

PIMA COUNTY
FACILITIES MANAGEMENT
150 WEST CONGRESS, 5TH FL.
TUCSON, AZ 85701



2051 W. SUNSET RD.
SUITE NO. 101
TUCSON, ARIZONA 85704
TEL: (520) 292-1488
FAX: (520) 292-5369
www.pima.gov

ARCHITECTURE
ENGINEERING
CONSTRUCTION MANAGEMENT



Revisions

Description	Date
REVISIONS	3/15/11

Drawn: DEJ
Checked: HB
Issue Date: 12-17-2010

Drawing Title
CIVIL

DETAILS

Sheet Number

CI501

M3PN 100100

Last Update: 3.16.2011

File: P:\2010\101010\CIVIL\101010.dwg LAST UPD: 3/16/2011 3:05 PM BY: RHW/254